

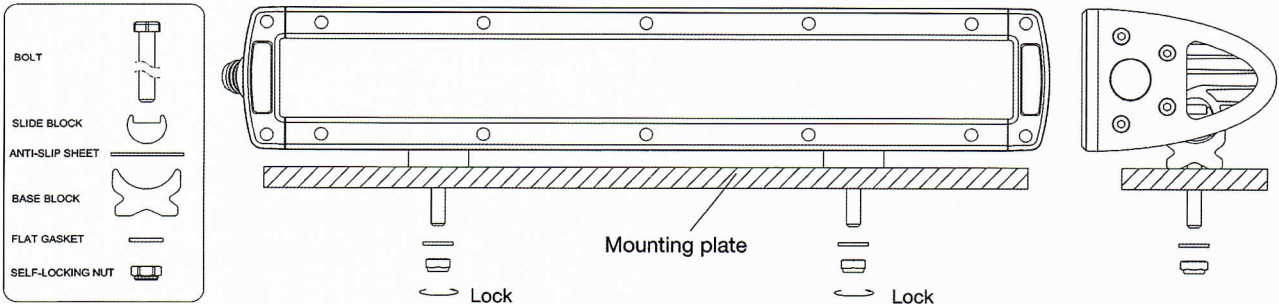
LED LIGHT BAR

INSTALLATION INSTRUCTIONS

Mounting Lights

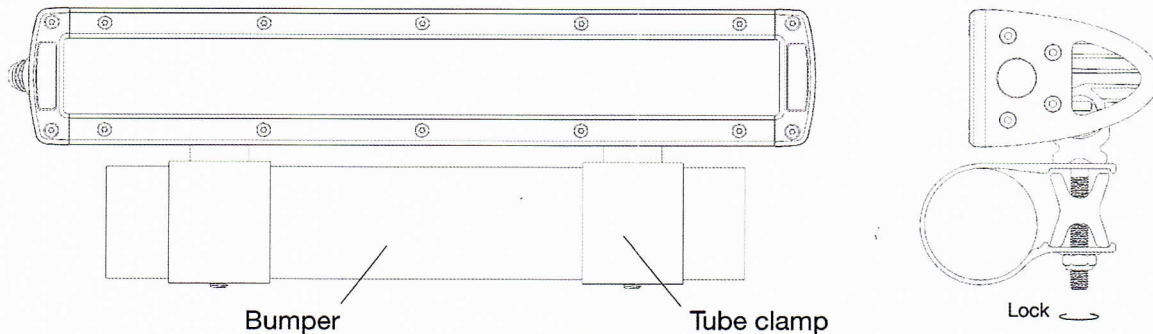
Installation Methods (standard configuration)

1. Drill 8.5mm holes for screw placement on the surface where you would like to fix the light.
2. Use the bolt to fasten the lamp, add the locking washer and tighten the bolt.



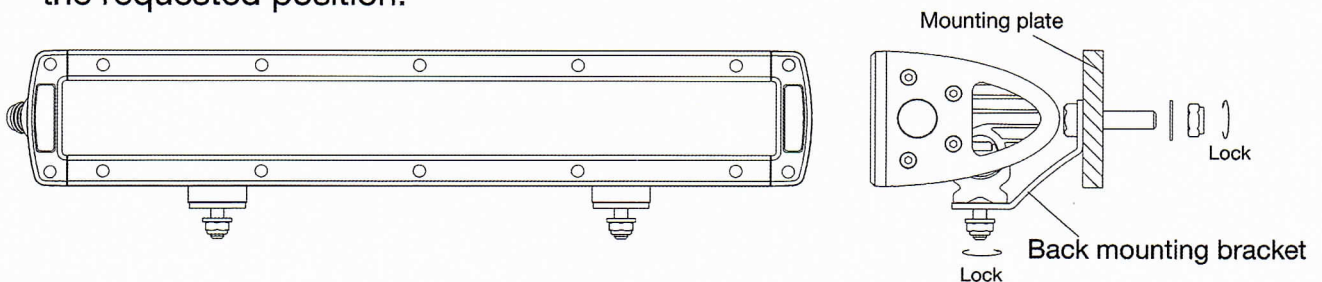
Installation Methods (Optional)

1. After the light bar being installed with all basic accessories, lock the screw through the holes of clamp.
2. Install the clamp on the bumper.



Installation Methods (Optional)

1. After the light bar being installed with all basic accessories, lock the screw through the hole of back mounting bracket.
2. Put a M8 screw through the hole of back mounting bracket and install it at the requested position.



LED LIGHT BAR

INSTALLATION INSTRUCTIONS

Preliminary Steps

1. Read all instructions carefully and study diagrams before installing lights.
2. Check with state and local authorities for laws governing usage and proper mounting of auxiliary lamps.
3. Disconnect ground connection from battery (marked "-") to avoid accidental short circuits before attempting to connect electrical wires.
4. Route new wires along existing wiring. Tape as necessary to correct slack.
5. When running wires through the firewall, keep them away from moving parts.

Wiring Instructions

1. Mount switch in a convenient location where it is easily reached from the driver's seat.
2. Wiring: Red "+", black "-". Attach the red wire with annular terminal to positive side "+", and the black wire with annular terminal to negative side "-" on battery or ground. (Vehicles)
3. Make sure the working voltage (DC12V/24V), choose the corresponding relays. (DC12V/24V)
4. Insert the lamp connector (A) to wiring connector (B)
5. Turn on the switch to make sure if the lamp works. If not, please check carefully over your wiring to make sure it is correct.
6. Requirements for Wiring Cable:
For lights more than 200W, the diameter of wiring cable needs to be bigger than AWG13#; the current of fuse should be bigger than 30A.

Warning:

1. Work under the specified voltage (DC9-36V)
2. This light becomes hot under continuous use. Don't remove or touch the casing for at least 30 minutes after turning the lamp off.
3. Keep heat-sink clean and exposed to maintain air flow.

